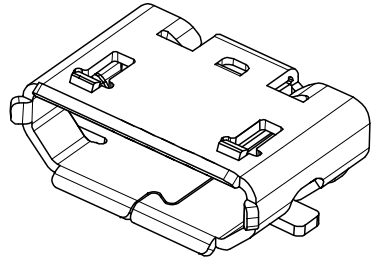
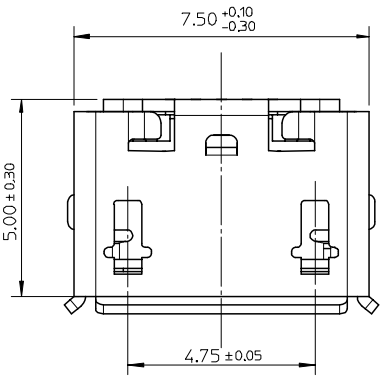
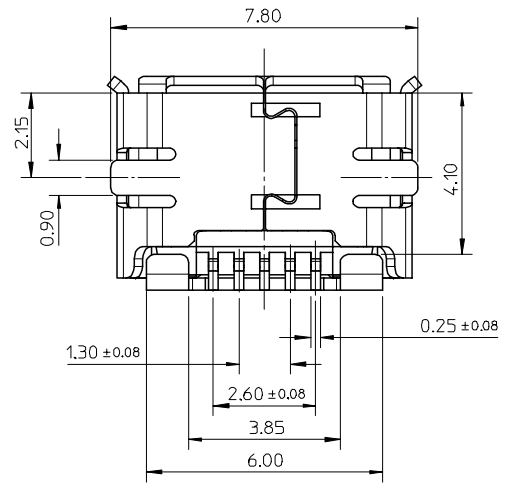
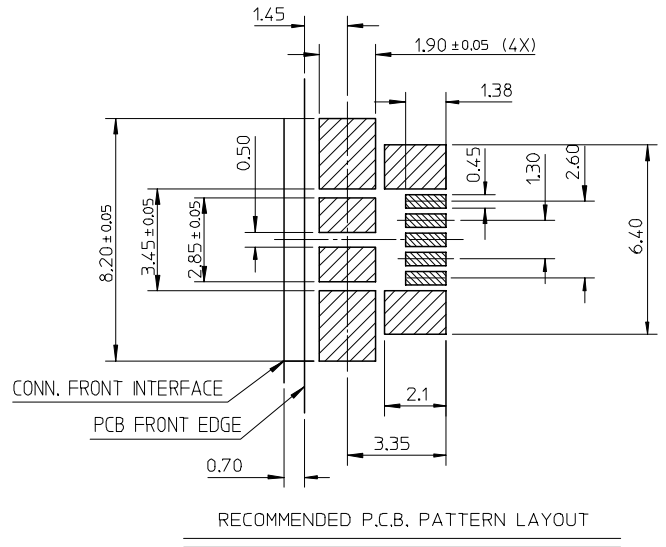
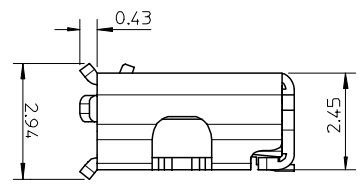
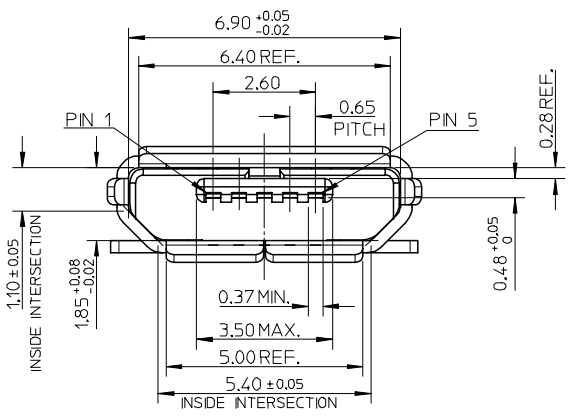


10 9 8 7 6 5 4 3 2 1



NOTE :

- MATERIAL :  
 HOUSING : LCP, BLACK, UL94V-0  
 TERMINAL : COPPER ALLOY THICKNESS = 0.15 MM  
 SHIELD CASE : STAINLESS STEEL THICKNESS = 0.30 MM
- PLATING :  
 TERMINAL:  
 CONTACT AREA : GOLD FLASH OVER MINIMUM 0.75 MICRON Pd/Ni.  
 SOLDER TAIL AREA : GOLD FLASH.  
 UNDER PLATING : NICKEL 2.0 MICRON MINIMUM.  
 SHIELD :  
 MATTE TIN 3.8 MICRON MINIMUM.  
 UNDER PLATING : NICKEL 1.27 MICRON MINIMUM.
- TAIL & NAIL COPLANARITY 0.08 mm MAXIMUM.
- COMPLIANT TO RoHS DIRECTIVE 2002/95/EC AND ELV DIRECTIVE 2000/53/EC.



NEW RELEASE EC NO: SH2007-0765 DRWN: XJSONG 2007/04/24 CHKD: JTIAN 2007/04/24 APPR: JNCHEN 2007/04/27	QUALITY SYMBOLS ▽=0 △=0	GENERAL TOLERANCES (UNLESS SPECIFIED)		DIMENSION STYLE	SCALE	DESIGN UNITS	THIRD ANGLE PROJECTION	
				MM ONLY	8:1	METRIC		
			mm	INCH	DRAWN BY	DATE	TITLE	
		4 PLACES	± ---	± ---	XJSONG	2006/12/11	MICRO USB B REC. BOTTOM MOUNT ASS'Y	
			3 PLACES	± ---	± ---	CHECKED BY	DATE	
			2 PLACES	± 0.25	± ---	IWANG	2006/12/11	
			1 PLACE	± 0.25	± ---	APPROVED BY	DATE	
			ANGULAR ± 3 °			JNCHEN	2006/12/11	
			DRAFT WHERE APPLICABLE MUST REMAIN WITHIN DIMENSIONS		MATERIAL NO.	DOCUMENT NO.	SHEET NO.	
			SIZE A3		47346-0001	SD-47346-001	1 OF 1	
THIS DRAWING CONTAINS INFORMATION THAT IS PROPRIETARY TO MOLEX INCORPORATED AND SHOULD NOT BE USED WITHOUT WRITTEN PERMISSION								

9 8 7 6 5 4 3 2 1